



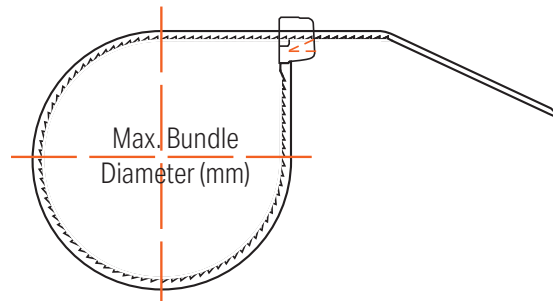


Cable Ties

Wide Range

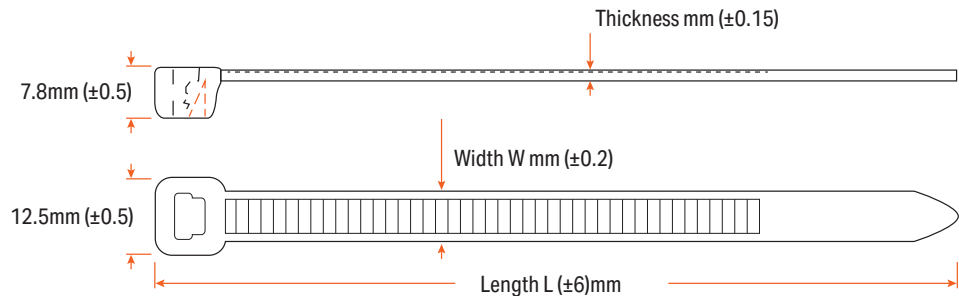
• Options:	Natural or Black.	   
• Material:	Nylon 66.	
• Temperatures:	Operating Temperature: -40°C to +85°C Tightening Temperature: -10°C to +60°C Max. Admissible Point: +110°C (For Short Time) Fusion Temperature: +256°C	
• Limit Oxygen Index (LOI):	27%	
• Flammability Rating:	UL 94 Class V2	
• Dielectric Strength:	50,000 Volts/mm	
• Weather Resistance:	High resistance to bases, oils, greases, oil derivatives, chloride solvents; limited resistance to acids; not resistant to phenols; halogen-free resins.	
• Comply With:	EN IEC62275:2019, IEC 62321-5: 2013, IEC 62321-4: 2013+ AMD1: 2017, EC 62321-7-2: 2017, IEC 62321-6: 2015, IEC 62321-8: 2017	
• UL Approved:	E474504	
• Characteristics:	<ul style="list-style-type: none"> • Beal UK Cable Ties are produced in UL Approved Nylon 6.6 giving excellent flexibility and mechanical strength. • The Black Cable Ties have added Carbon Black enabling them to be UV Stable and suitable for Outdoor Use and giving excellent resistance to weathering and ageing. • High tensile strength with low insertion force. 	
• Example Applications:	Electrical installations, Industrial Wiring, Automotive, Panel building.	



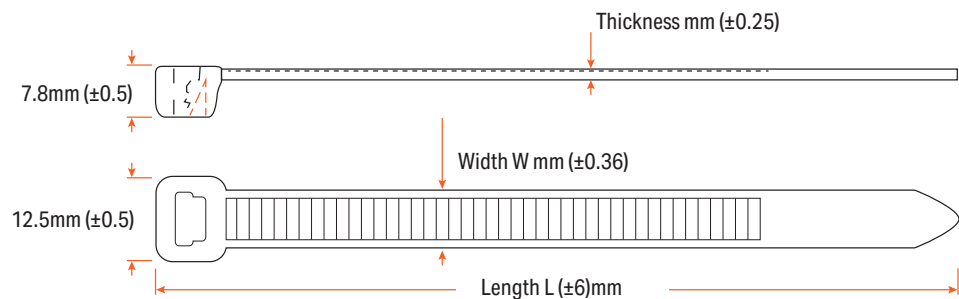
Cable Ties

Wide Range

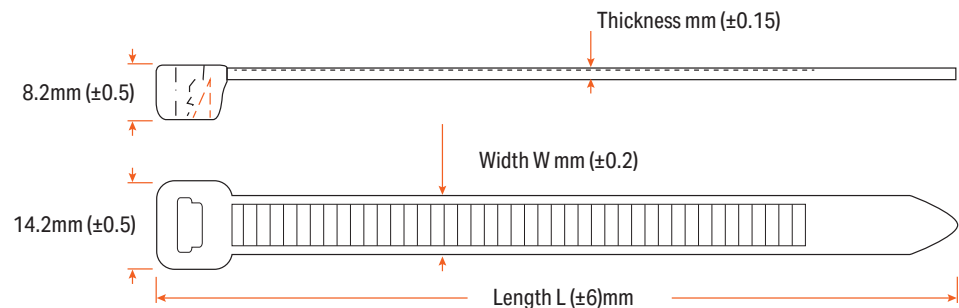
7.6mm Wide



8.0mm Wide



9.0mm Wide



STORAGE AND USAGE OF NYLON CABLE TIES

BEAL UK cable ties are made from high quality Nylon 66 resin. Moisture absorption is an essential factor for this material to retain its strength and maintain optimal performance. To this end, it is important for the cable ties to be kept in a sealed package wherever possible.

Below are some helpful storage suggestions:

1. The ideal storage temperature is around 23°C with the humidity over 50%.
2. Do not open the bag before use. Please try to finish the whole package of cable ties shortly after opening or reseal the bag until you are ready to use again.
3. Do not expose directly under sunlight (except UV weather resistant cable ties).
4. Avoid storing cable ties close to warm objects (such as heaters).

Cable Ties

Wide Range

Item No.	Colour	Width W (mm)	Thickness (mm)	Length L (mm)	Max. Bundle Diameter (mm)	Min. Tensile Strength (kg)
TR27-B	Black	7.6	1.5	150	32	55
TR6-B	Black	7.6	1.8	200	52	55
TR34-B	Black	7.6	1.8	240	65	55
TR9-B	Black	7.6	1.6	300	80	55
TR11-B	Black	7.6	1.8	370	101	55
TR35-B	Black	8.0	2.0	450	128	55
TR36-B	Black	8.0	2.0	550	160	55
TR37-B	Black	7.6	1.8	750	218	55
TR15-B	Black	9.0	1.9	450	128	80
TR16-B	Black	9.0	2.0	550	160	80
TR40-B	Black	9.0	2.0	609	177	80
TR14-B	Black	9.0	2.0	710	209	80
TR21-B	Black	9.0	2.0	762	227	80
TR50-B	Black	9.0	1.9	812	243	80
TR41-B	Black	9.0	2.0	914	275	80
TR19-B	Black	9.0	2.0	1168	356	80
TR42-B	Black	9.0	2.0	1219	372	80
TR48-B	Black	9.0	2.0	1530	462	80
TR27-W	Natural	7.6	1.5	150	32	55
TR6-W	Natural	7.6	1.8	200	52	55
TR34-W	Natural	7.6	1.8	240	65	55
TR9-W	Natural	7.6	1.6	300	80	55
TR11-W	Natural	7.6	1.8	370	101	55
TR35-W	Natural	8.0	2.0	450	128	55
TR36-W	Natural	8.0	2.0	550	160	55
TR37-W	Natural	7.5	1.8	750	218	55
TR15-W	Natural	9.0	1.9	450	128	80
TR16-W	Natural	9.0	2.0	550	160	80
TR40-W	Natural	9.0	2.0	609	177	80
TR14-W	Natural	9.0	2.0	710	209	80
TR21-W	Natural	9.0	2.0	762	227	80
TR50-W	Natural	9.0	1.9	812	243	80
TR41-W	Natural	9.0	2.0	914	275	80
TR19-W	Natural	9.0	2.0	1168	356	80
TR42-W	Natural	9.0	2.0	1219	372	80
TR48-W	Natural	9.0	2.0	1530	462	80